

Aldeck

Aldeck

GROUP

**Commercial
Handrail
Systems**

15 Brock Street, Thomastown VIC 3074
Tel: (03) 9465 1122 Fax: (03) 9465 1126
Email: aldeck@aldeck.com.au www.aldeck.com.au

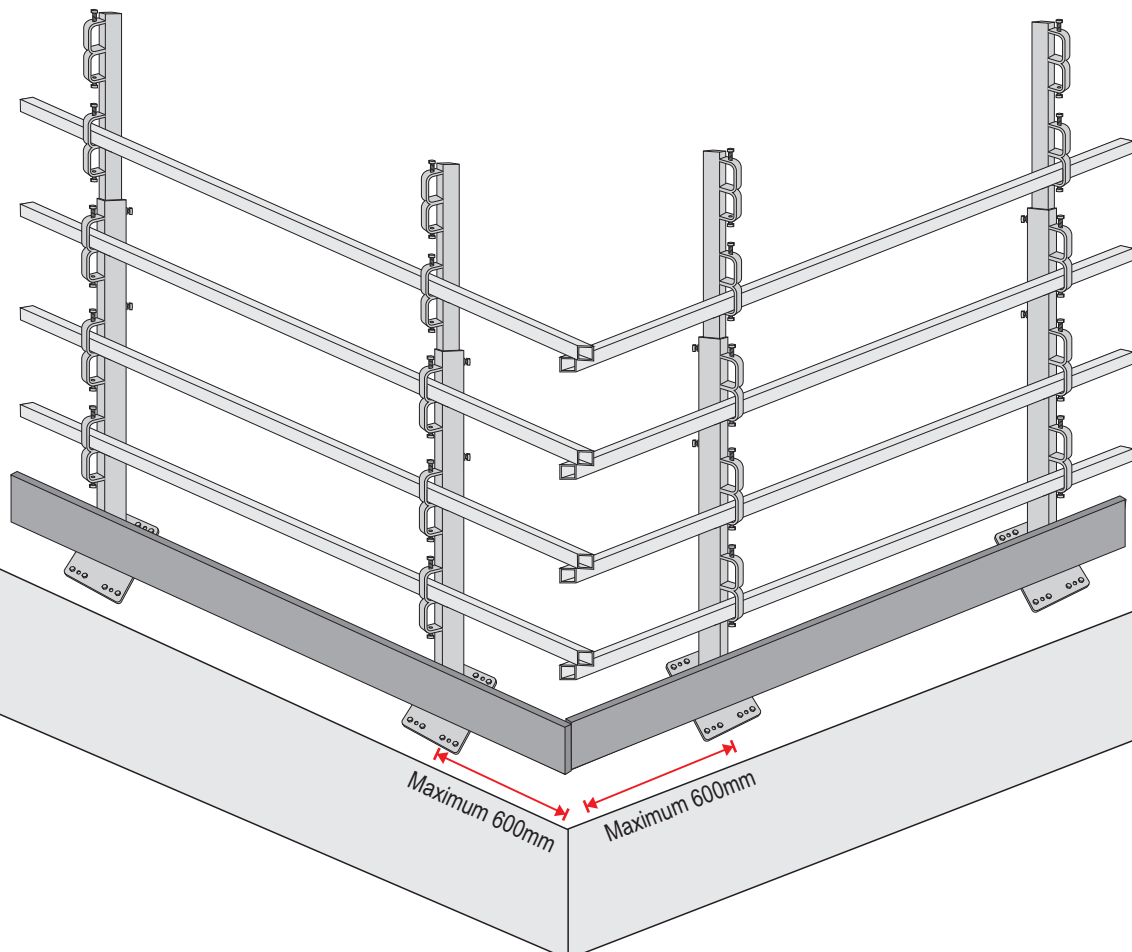
CONTENTS	PAGE
<i>Telescopic System</i>	
Telescopic Handrail System	2
Alternate Set Ups	3-4
Stair Case Connector	5
Building Enclosure System	6
665 Telescopic Handrail System	7
<i>Over Purlin Systems</i>	
Perimeter Handrail	8
Gable End Application	9
Clamp on Bracket	10
Bolt on Bracket	11
<i>Under Purlin Systems</i>	
Purlin Handrail (Off 2 Purlins)	12
Purlin Handrail (Gable End)	13
Beam Handrail	14
I Beam Handrail	15
Purlin Offset Handrail	16
Timber Beam Handrail	17
Timber Beam Handrail (Alternate)	18
Concrete Bolt On Handrail	19
Blue Steel Bracket	20

Telescopic Handrail System

Aldeck

TELESCOPIC

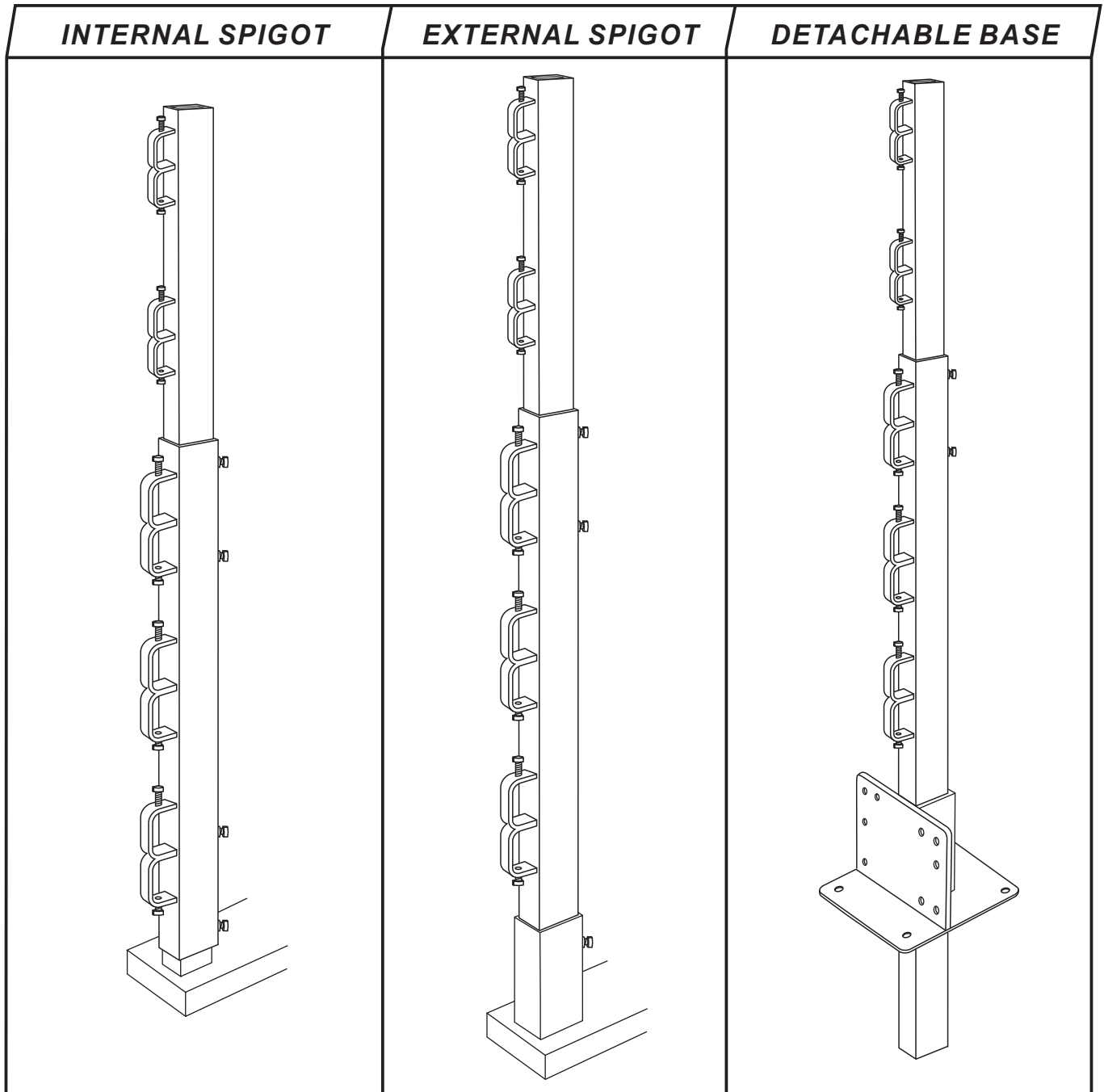
- Maximum post spacing is **3 metres**.
- No rail joiners or corner brackets required.
- When installing or dismantling, this work must be in accordance with state legislation under the OH&S act.



Our patented telescopic handrail system easily converts anywhere from 1.1m up to 2.4m high, making it one of the highest Australian Standard approved systems in the market place today.

**INSTALLATION MANUAL & TEST REPORTS
AVAILABLE UPON REQUEST.**

Telescopic Handrail System (Alternate Set Up)

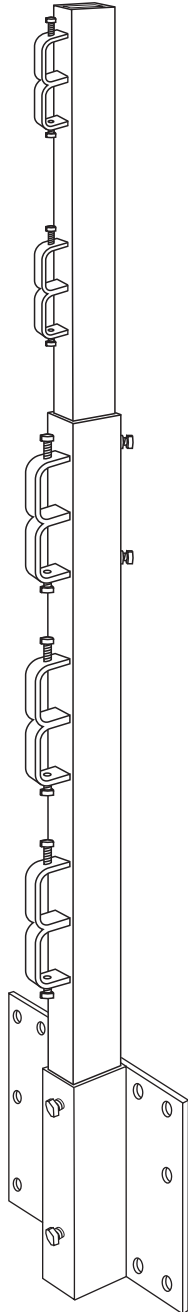


These set ups are suited to steel structure buildings.

- *Either the internal or external spigot is pre welded to the steel structure.*
- *The post is then attached to the spigot and moved up during the course of the concrete slab being poured.*
- *Once the slab is poured the handrail base can be fixed to it, allowing the handrail to be employed anywhere up to 2.4m high.*
- *This installation method saves labour by only requiring one handrail system for the duration of a project.*

Telescopic Handrail System (Alternate Set Up)

SIDE MOUNT



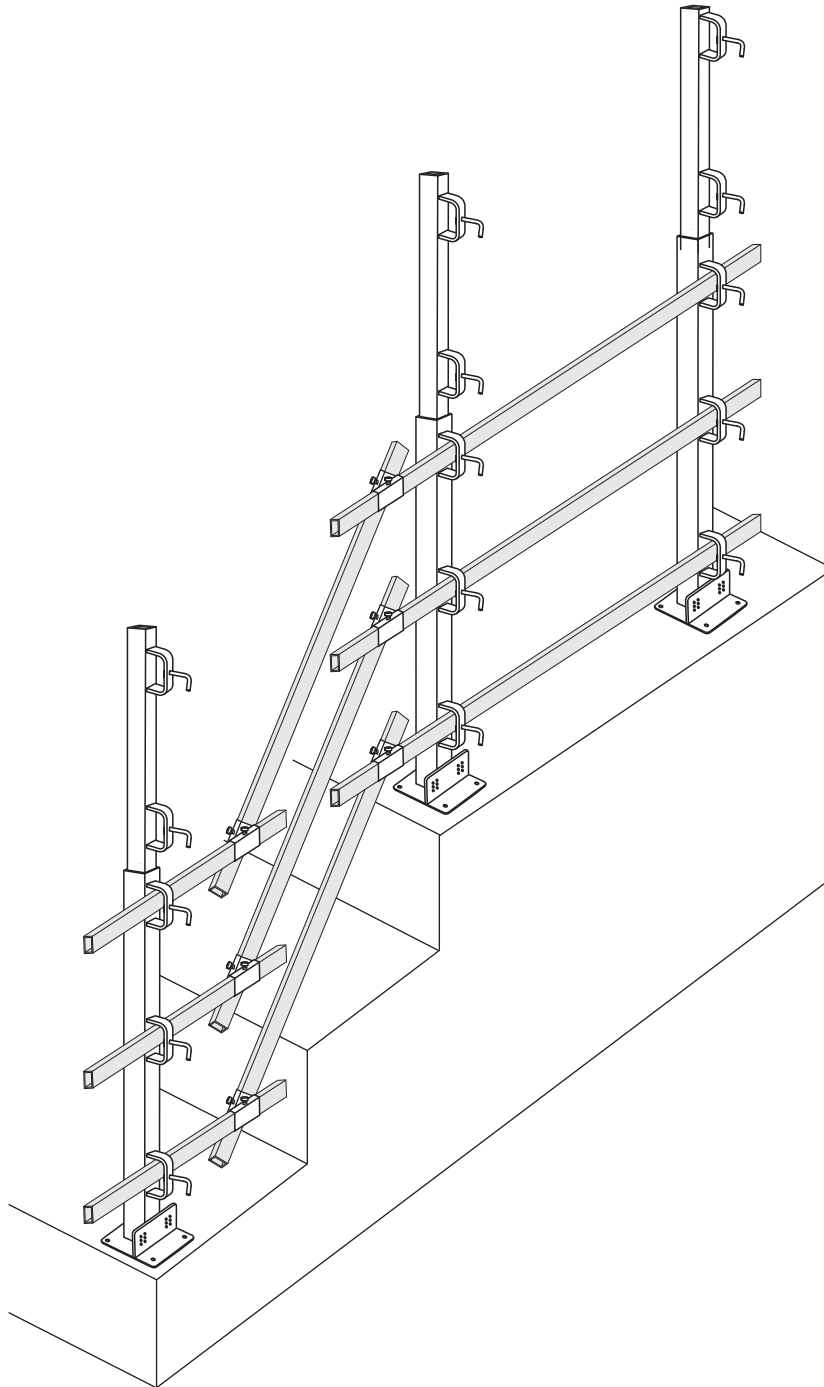
- Maximum post spacing is **3 metres**.
- No rail joiners or corner brackets required.
- When installing or dismantling, this work must be in accordance with state legislation under the OH&S act.

*Perfectly suited for attaching to a concrete hob or wall.
When 2m high handrail protection is still required.*

Telescopic Handrail System

Aldeck

STAIR CASE CONNECTOR



*Adds further flexibility to the handrail system
by allowing it to now be used on staircases.*

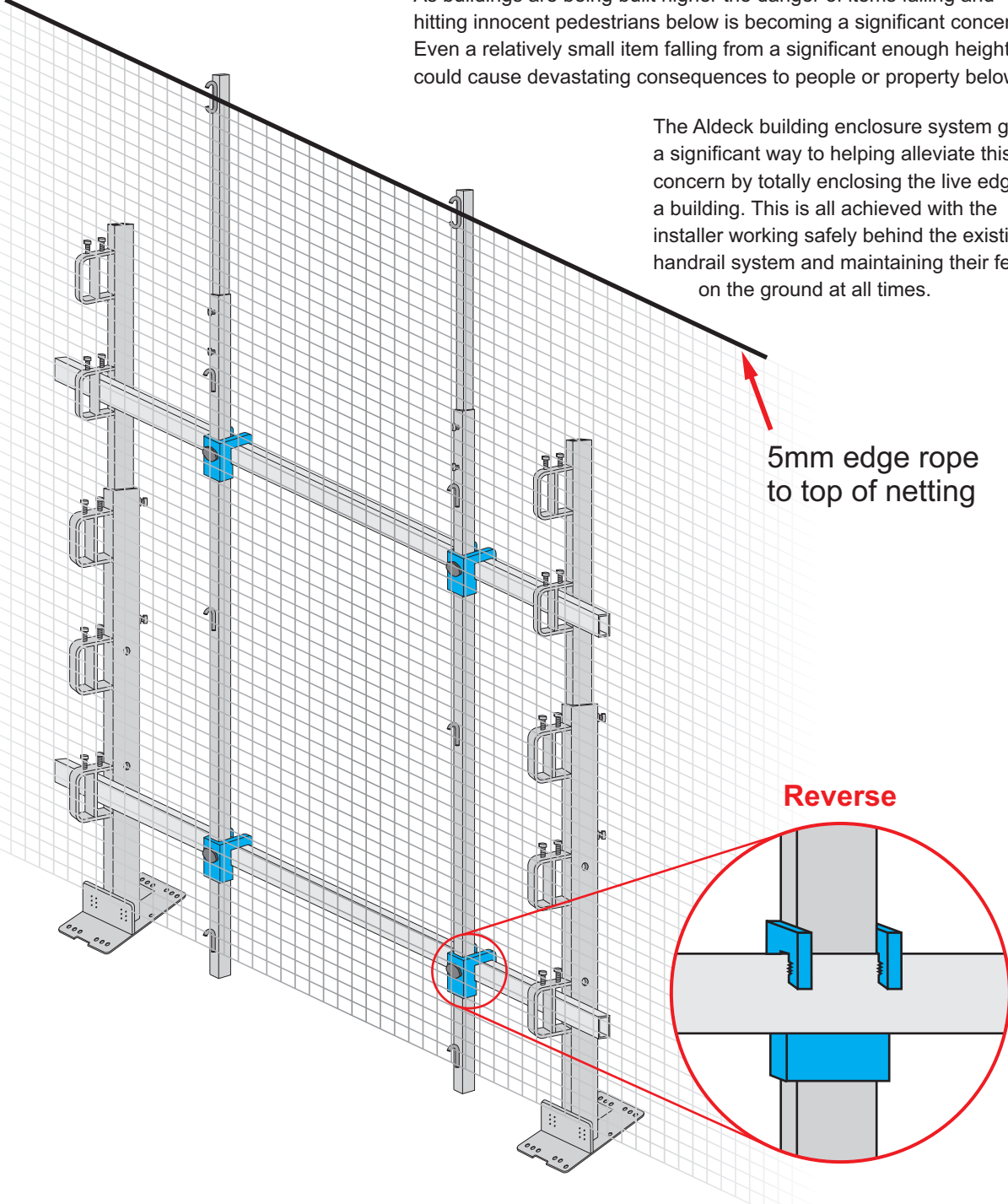
Telescopic Handrail System

Aldeck

BUILDING ENCLOSURE SYSTEM

As buildings are being built higher the danger of items falling and hitting innocent pedestrians below is becoming a significant concern. Even a relatively small item falling from a significant enough height could cause devastating consequences to people or property below.

The Aldeck building enclosure system goes a significant way to helping alleviate this concern by totally enclosing the live edge of a building. This is all achieved with the installer working safely behind the existing handrail system and maintaining their feet on the ground at all times.



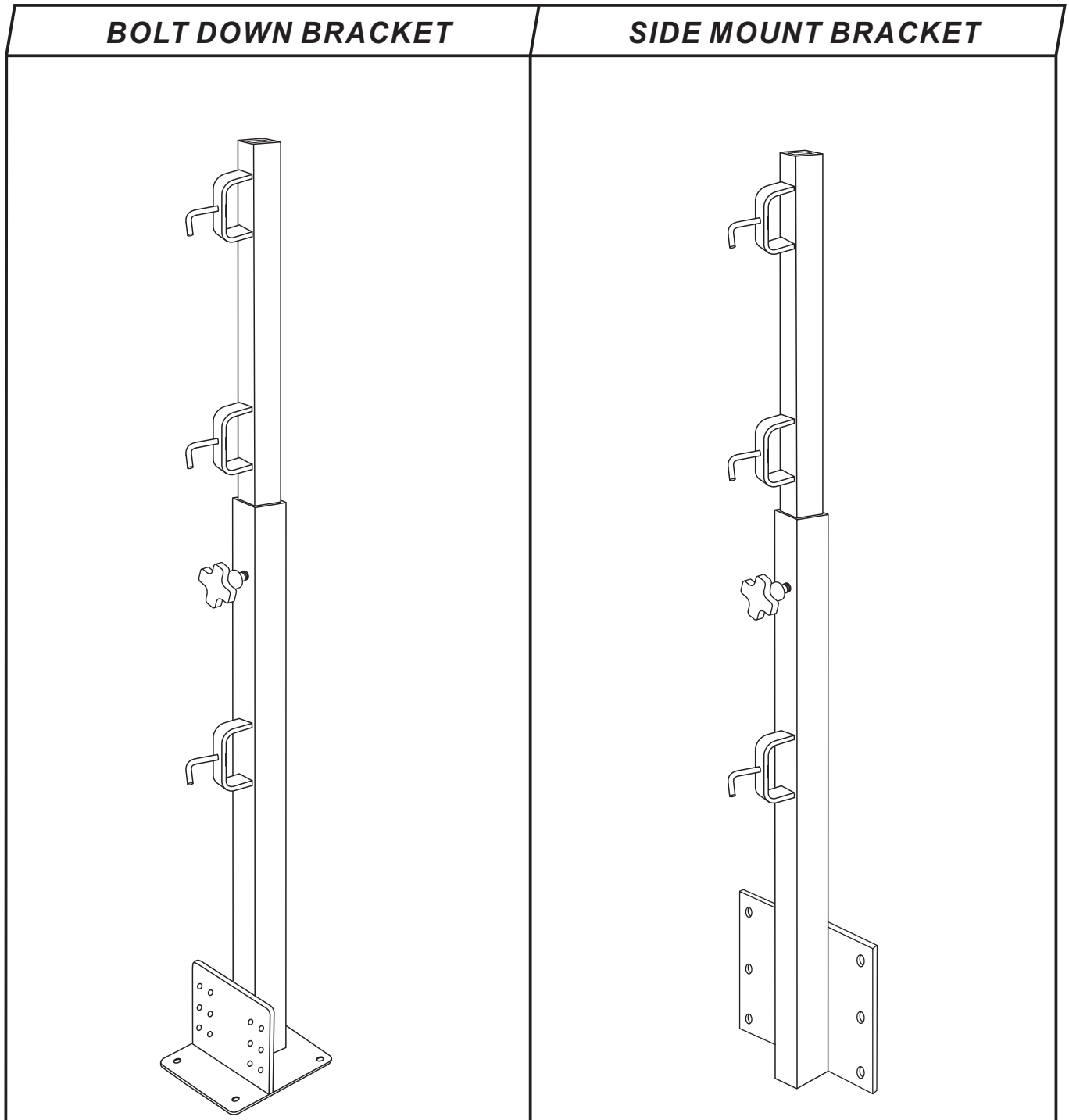
5mm edge rope
to top of netting

Reverse



THIS IS A DEBRIS RESTRAINT SYSTEM ONLY. THIS SYSTEM CAN ONLY TO BE USED IN CONJUNCTION WITH THE ALDECK TELESCOPIC HANDRAIL SYSTEM.

665 Telescopic Handrail System



The mid range system from Aldeck

- *Has the capacity to extend up to 1.6 m high*
- *Maximum spacing between posts is 3m*
- *The perfect balance between strength and weight*

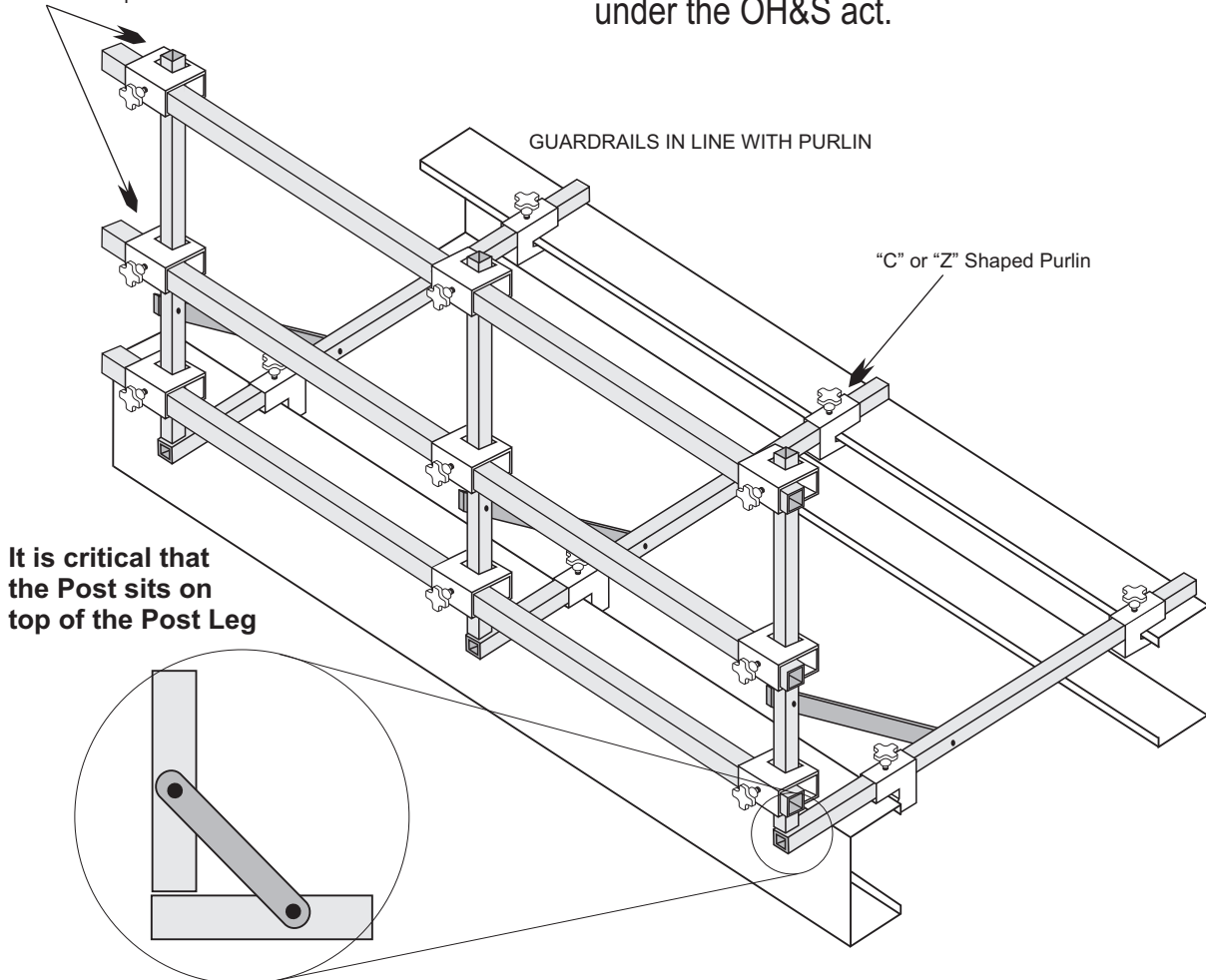
Perimeter Handrail

Aldeck

OVER PURLIN

- Maximum post spacing is **3 metres**.
- All rails, joiners & corner brackets included.
- When installing or dismantling, this work must be in accordance with state legislation under the OH&S act.

Join rails at post



It is critical that the Post sits on top of the Post Leg

Our unique system allows the roof and the walls to be installed at the same time, greatly increasing site productivity.

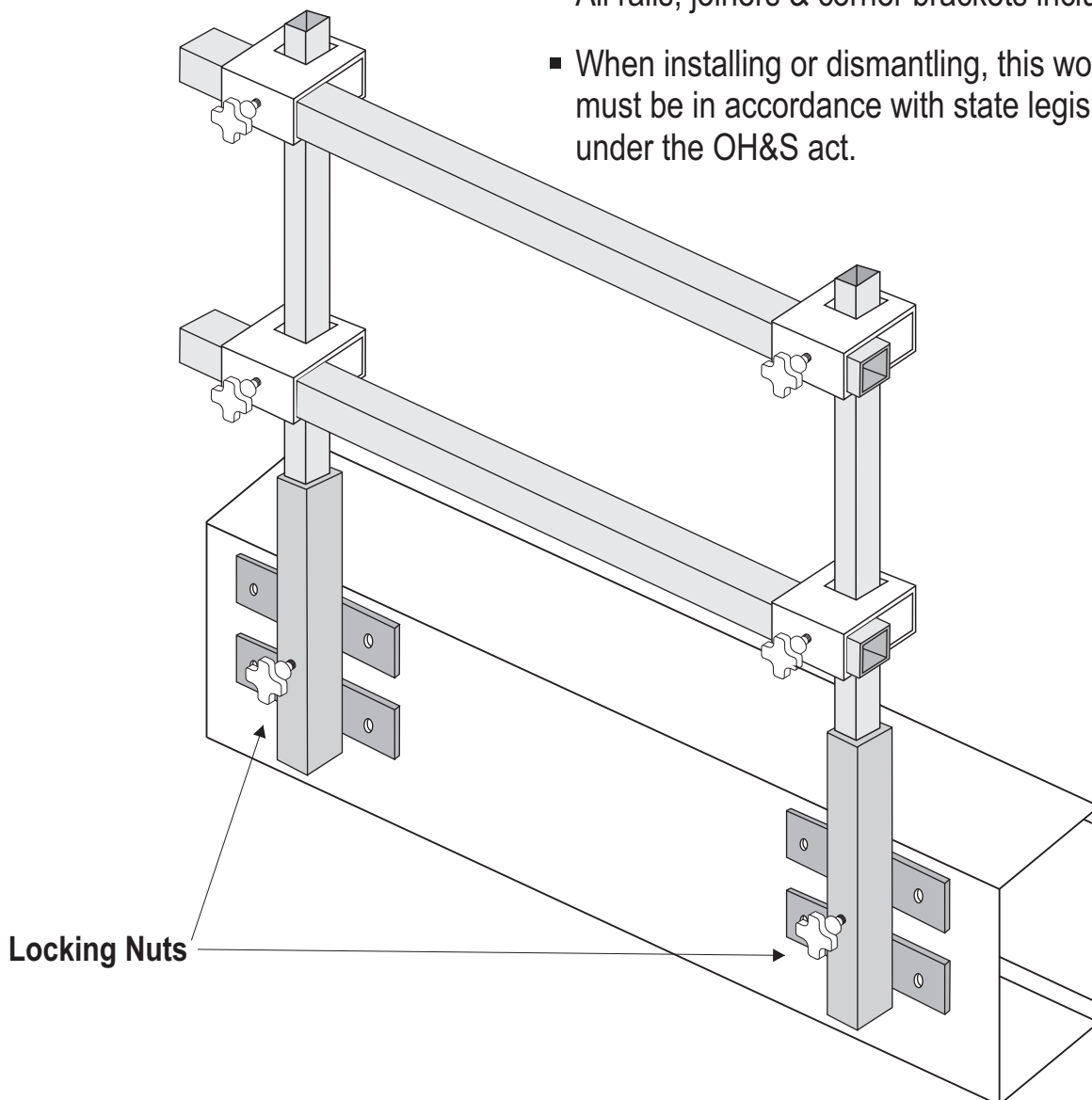
The productivity gains are further improved by not having to change from perimeter systems to roof systems during a project.

Gable End Application

Aldeck

OVER PURLIN

- Maximum post spacing is **3 metres**.
- All rails, joiners & corner brackets included.
- When installing or dismantling, this work must be in accordance with state legislation under the OH&S act.



Our unique system allows the roof and the walls to be installed at the same time, greatly increasing site productivity.

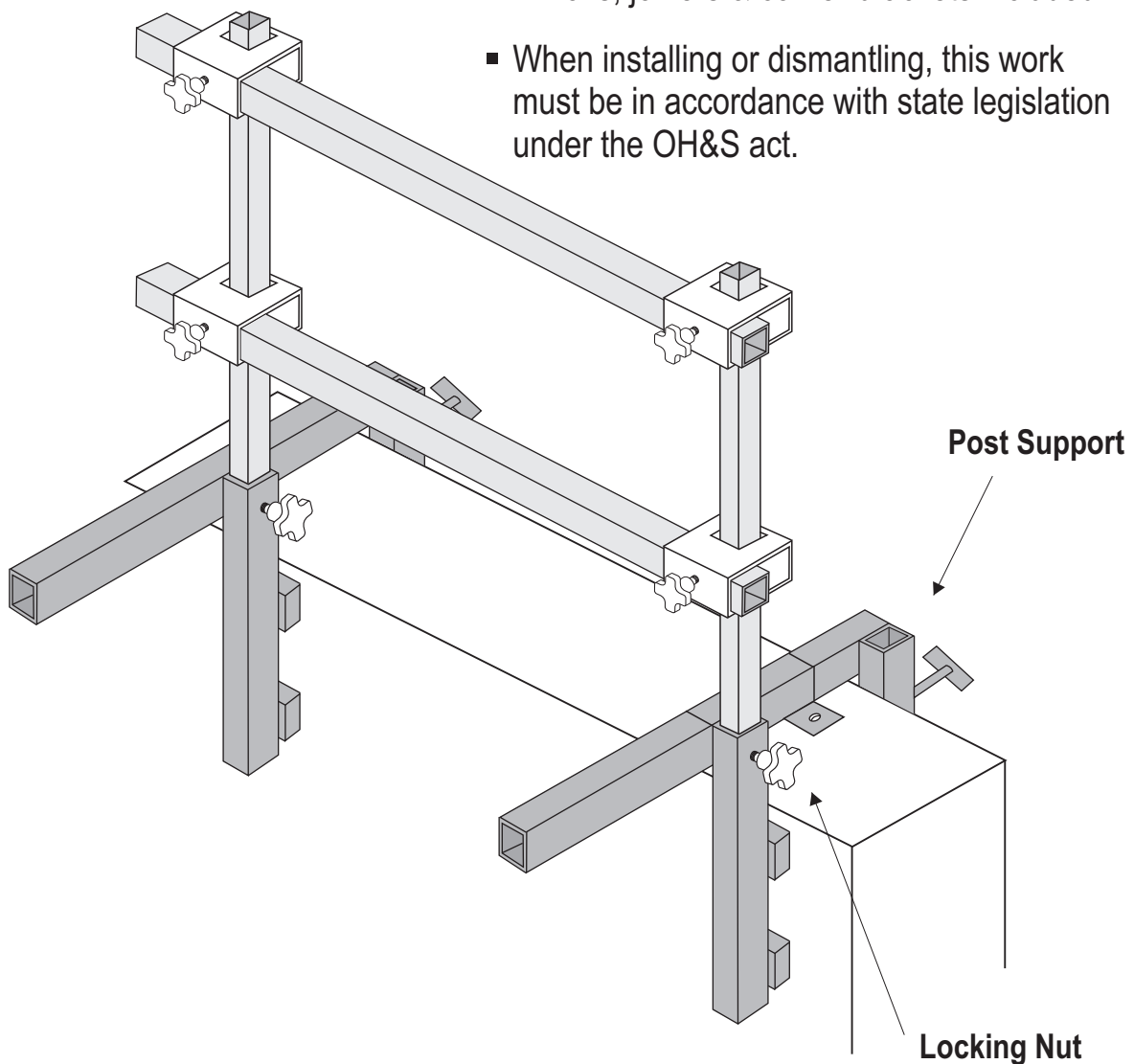
The productivity gains are further improved by not having to change from perimeter systems to roof mounted systems during a project.

Clamp on Bracket

Aldeck

OVER PURLIN

- Maximum post spacing is **3 metres**.
- All rails, joiners & corner brackets included.
- When installing or dismantling, this work must be in accordance with state legislation under the OH&S act.



Our new and improved clamp on bracket, firmly connects to panel walls or hobs.

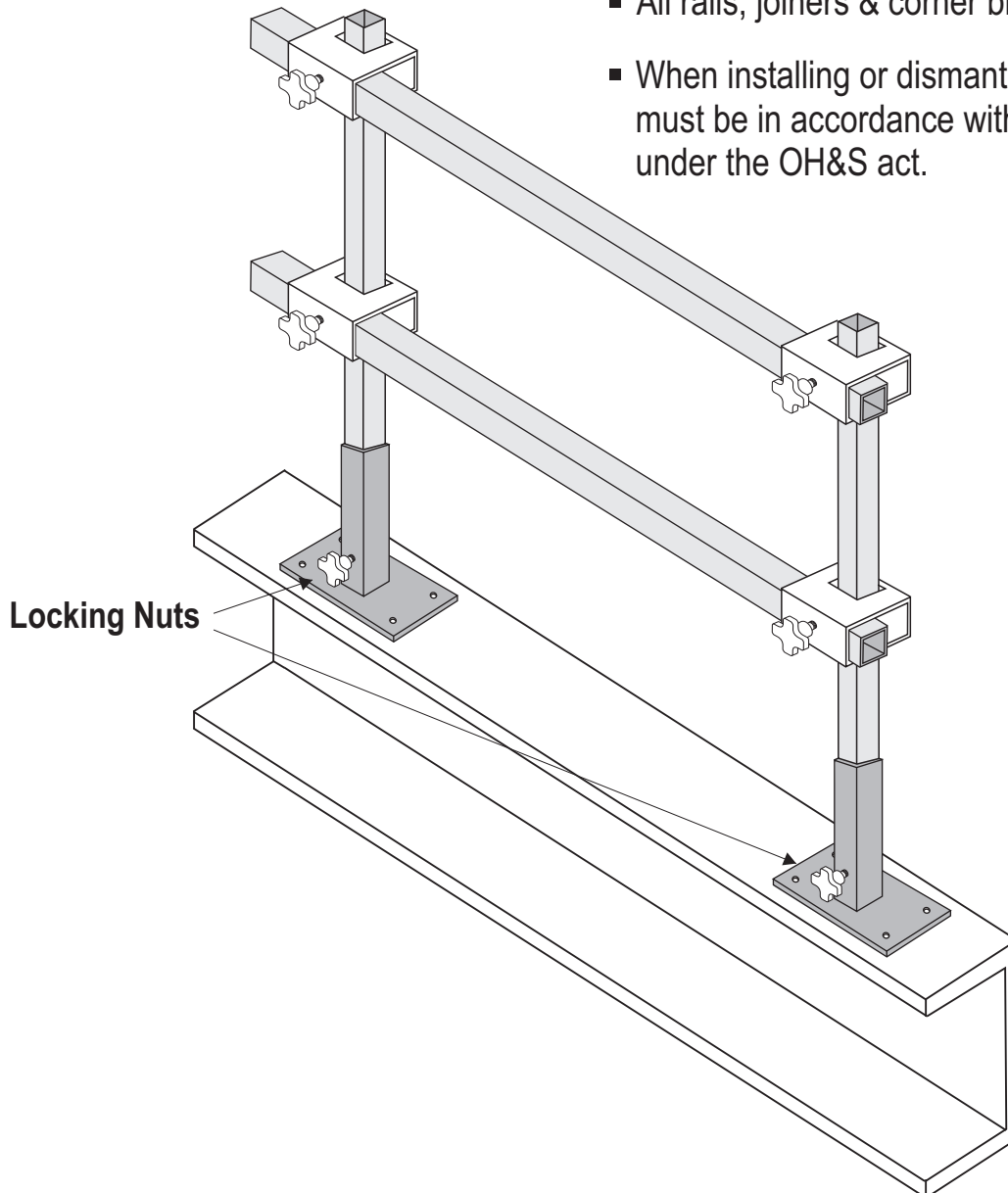
Up to 400mm wide, all without the need of mechanical fixings being required.

Bolt on Bracket

Aldeck

OVER PURLIN

- Maximum post spacing is **3 metres**.
- All rails, joiners & corner brackets included.
- When installing or dismantling, this work must be in accordance with state legislation under the OH&S act.



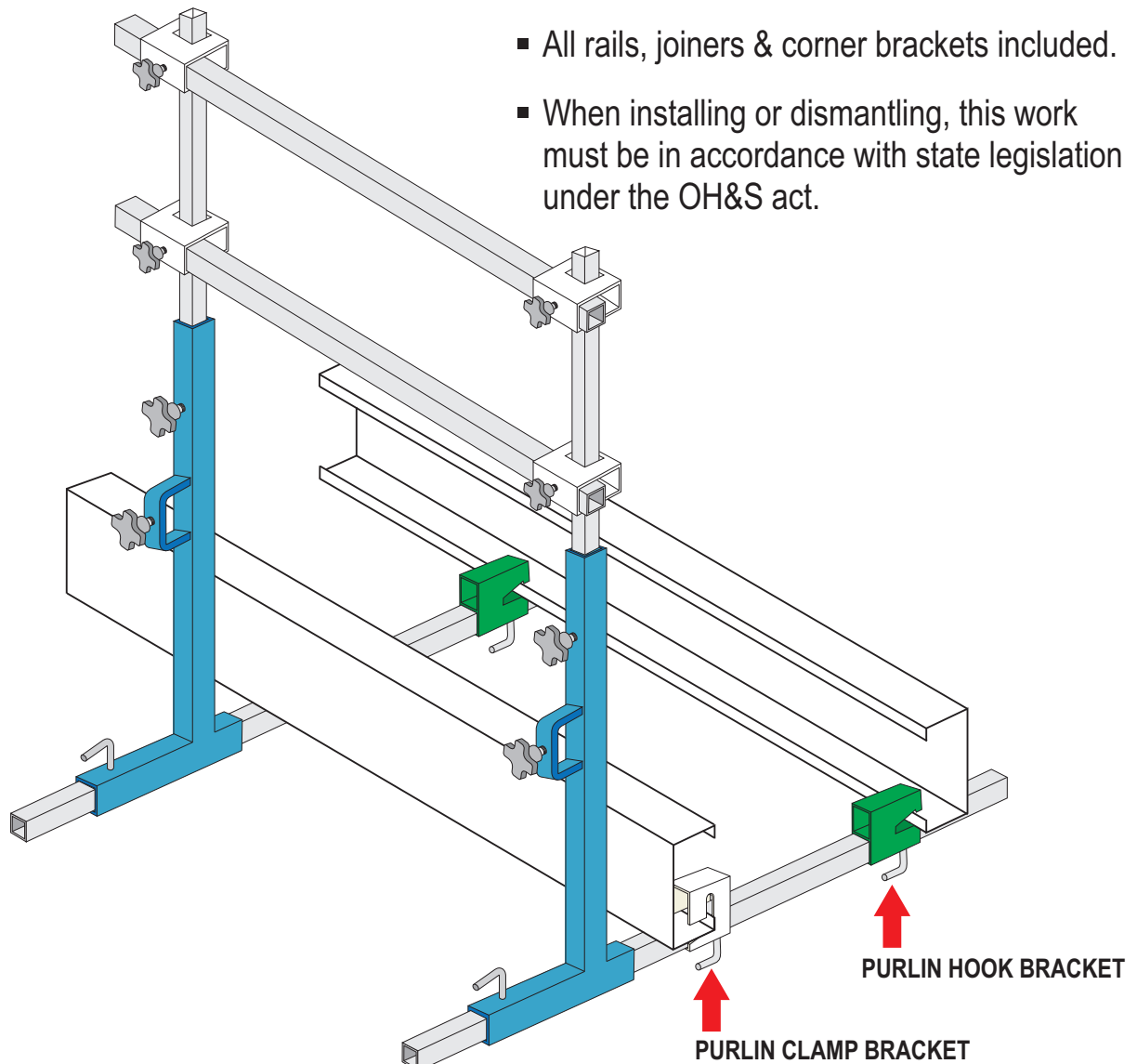
Our Roofers Handrail System - quickly and easily attaches to steel beams, timber structures or concrete surfaces with the use of 12 gauge screws.

Purlin Handrail (Off 2 Purlins)

Aldeck

UNDER PURLIN

- Maximum post spacing is **3 metres**.
- All rails, joiners & corner brackets included.
- When installing or dismantling, this work must be in accordance with state legislation under the OH&S act.



The Aldeck Alternate Perimeter System

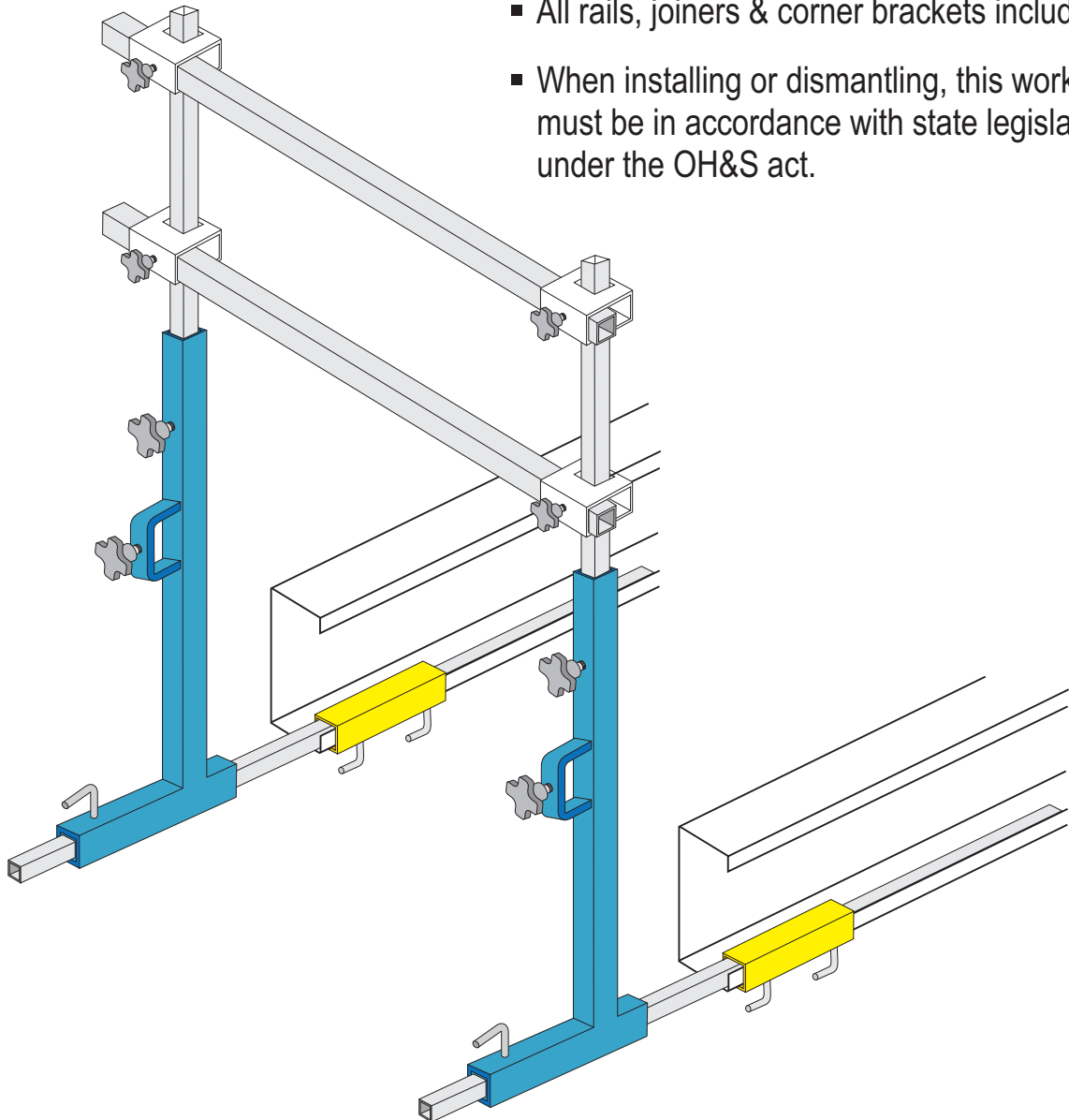
Lighter weight with less components than similar competitors products, improving site productivity.

Purlin Handrail (Gable End)

Aldeck

UNDER PURLIN

- Maximum post spacing is **3 metres**.
- All rails, joiners & corner brackets included.
- When installing or dismantling, this work must be in accordance with state legislation under the OH&S act.



The Aldeck Alternate Perimeter System

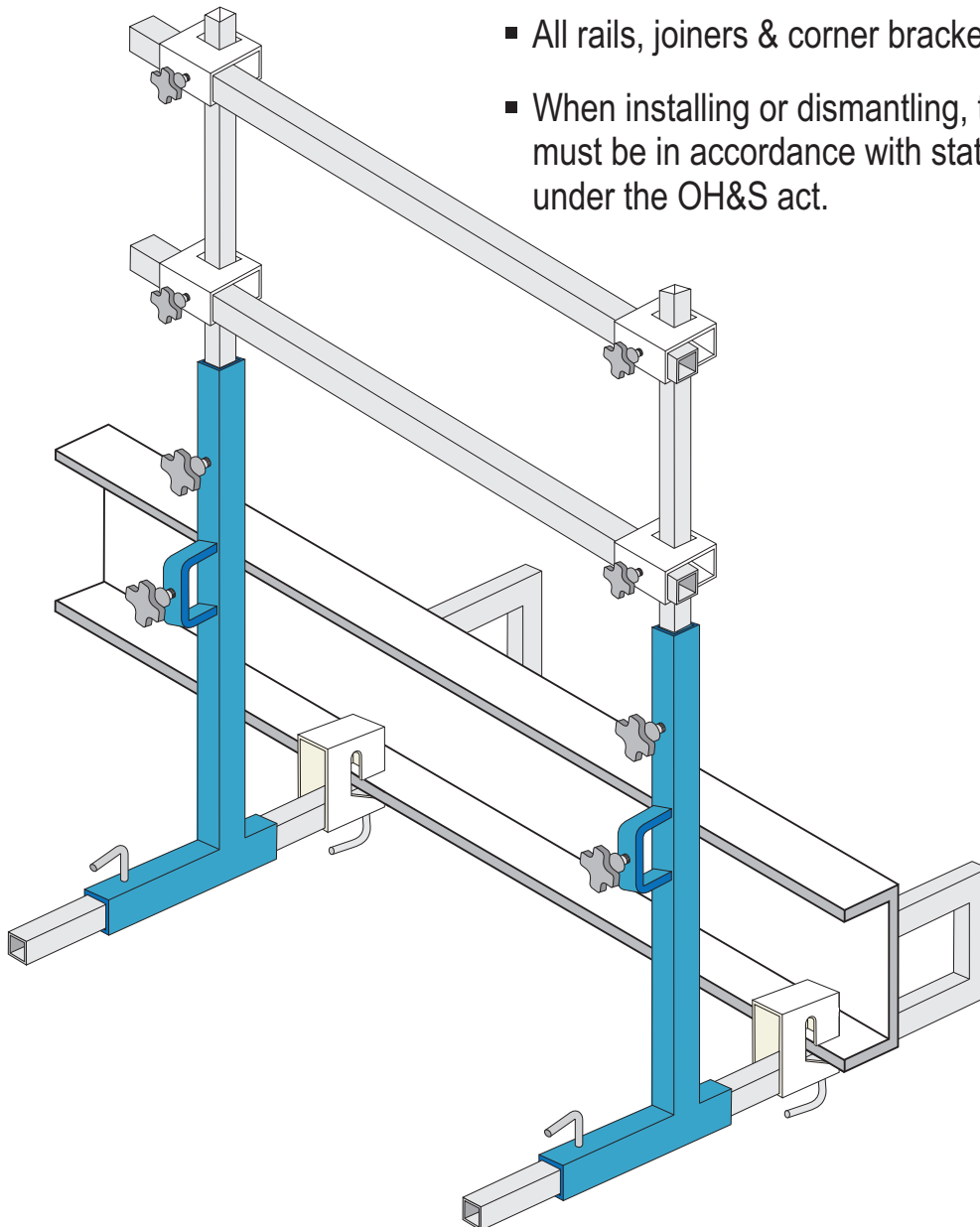
Lighter weight with less components than similar competitors products, improving site productivity.

Beam Handrail

Aldeck

UNDER PURLIN

- Maximum post spacing is **3 metres**.
- All rails, joiners & corner brackets included.
- When installing or dismantling, this work must be in accordance with state legislation under the OH&S act.



The Aldeck Alternate Beam Connecting System

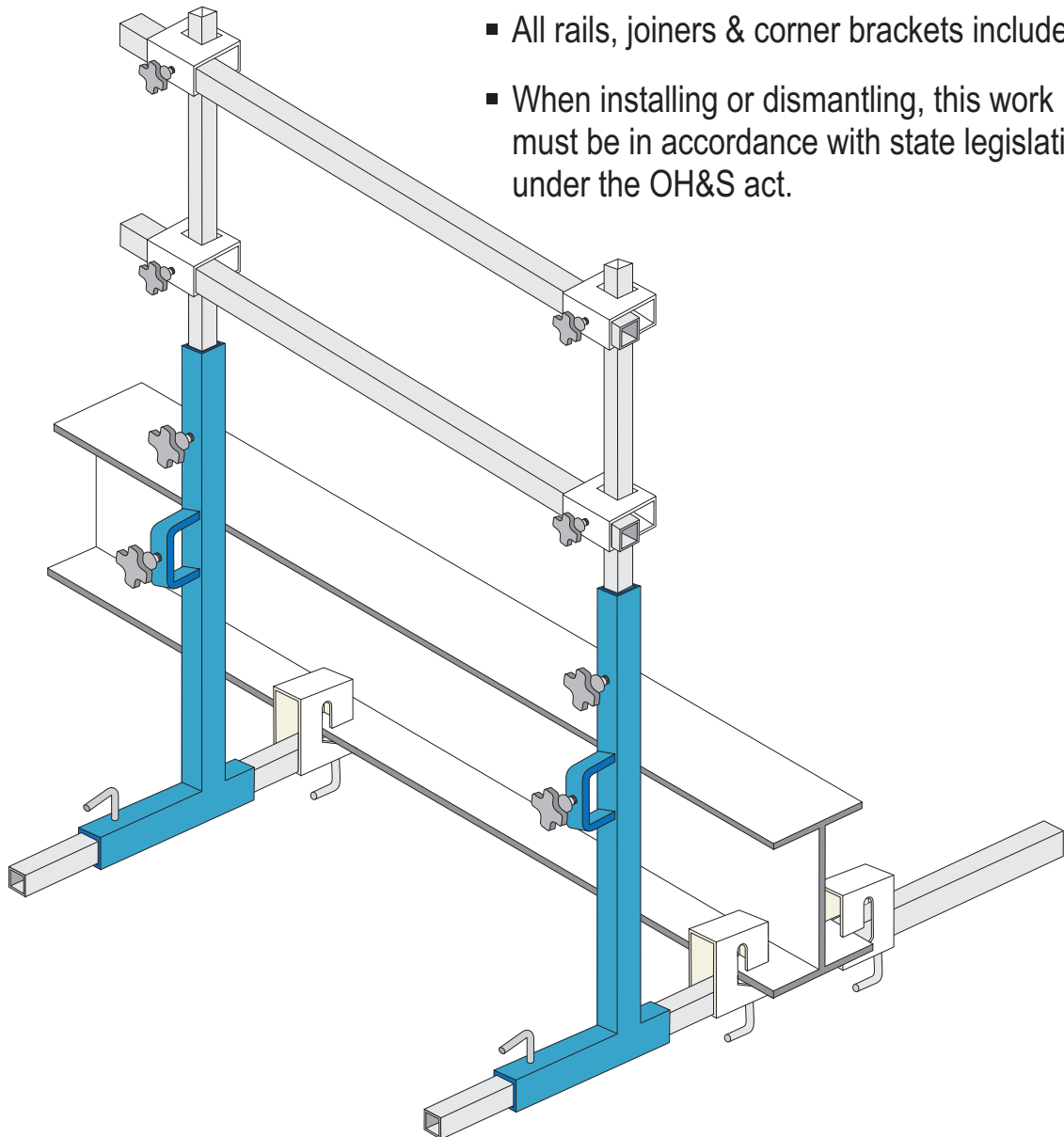
Lighter weight with less components than similar competitors products, improving site productivity.

I Beam Handrail

Aldeck

UNDER PURLIN

- Maximum post spacing is **3 metres**.
- All rails, joiners & corner brackets included.
- When installing or dismantling, this work must be in accordance with state legislation under the OH&S act.



The Aldeck Alternate I Beam System

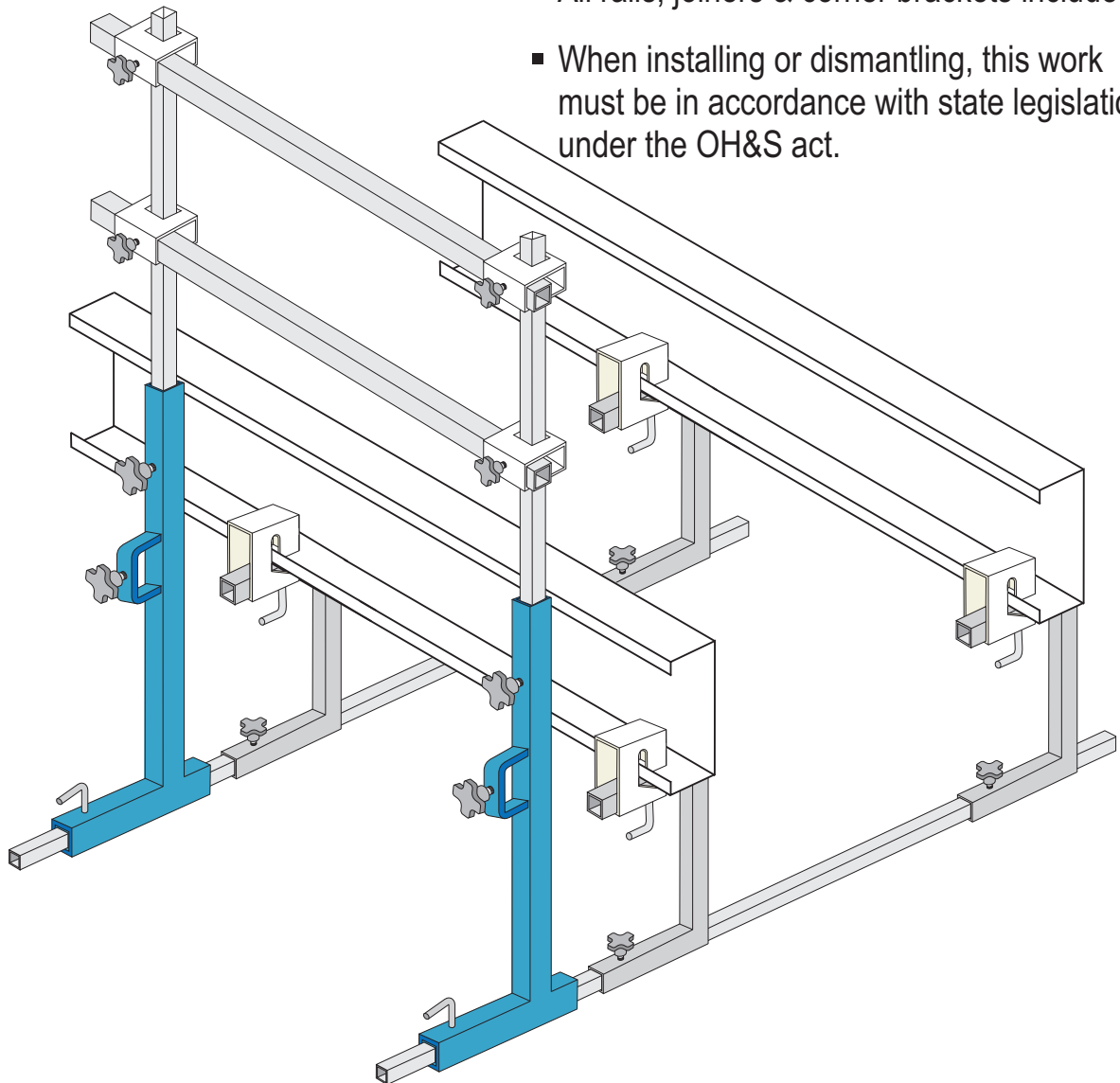
Lighter weight with less components than similar competitors products, improving site productivity.

Purlin Offset Handrail

Aldeck

UNDER PURLIN

- Maximum post spacing is **3 metres**.
- All rails, joiners & corner brackets included.
- When installing or dismantling, this work must be in accordance with state legislation under the OH&S act.



The Aldeck Alternate Perimeter System

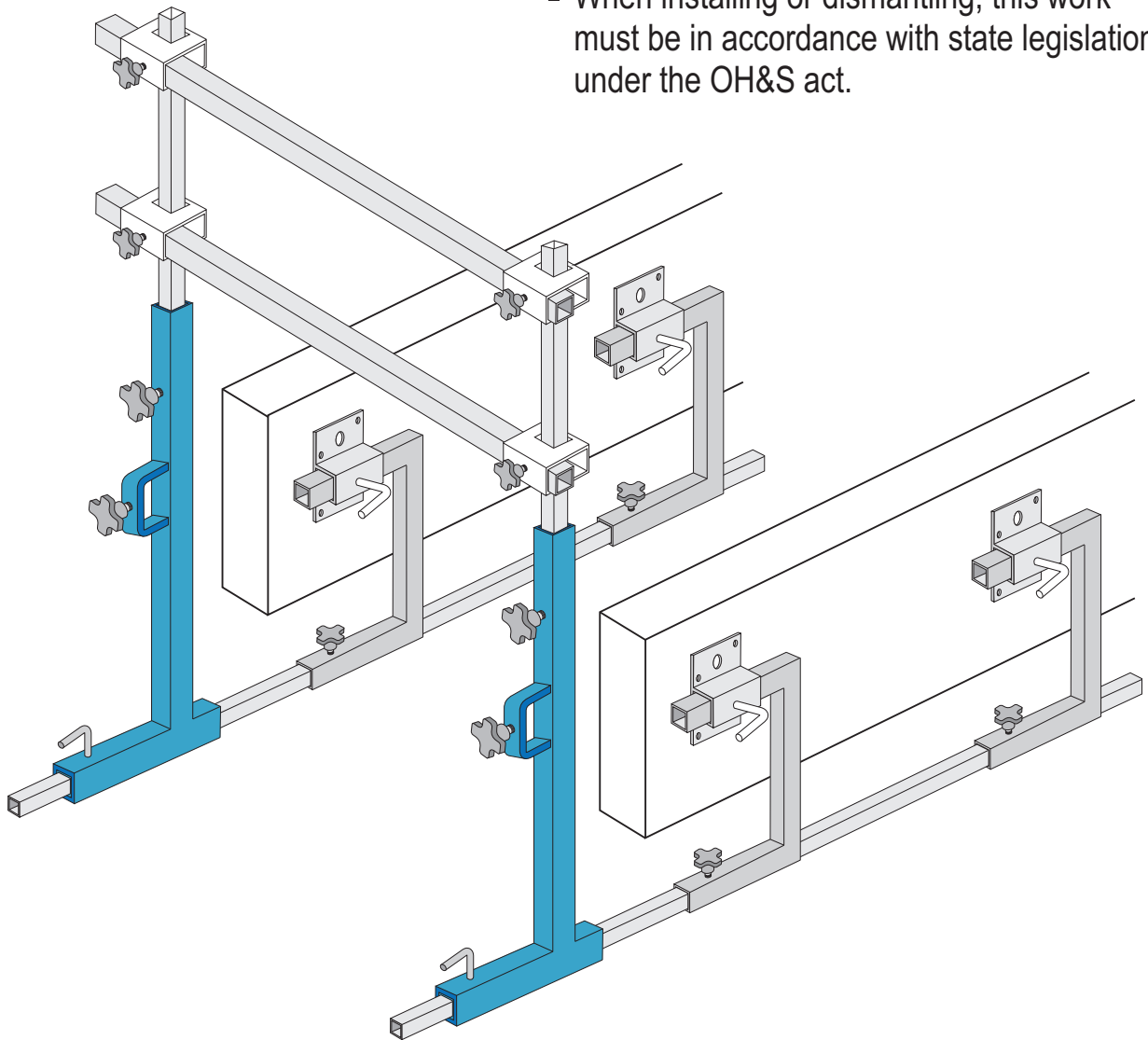
Lighter weight with less components than similar competitors products, improving site productivity.

Timber Beam Handrail

Aldeck

UNDER PURLIN

- Maximum post spacing is **3 metres**.
- All rails, joiners & corner brackets included.
- When installing or dismantling, this work must be in accordance with state legislation under the OH&S act.



The Aldeck Alternate Perimeter System

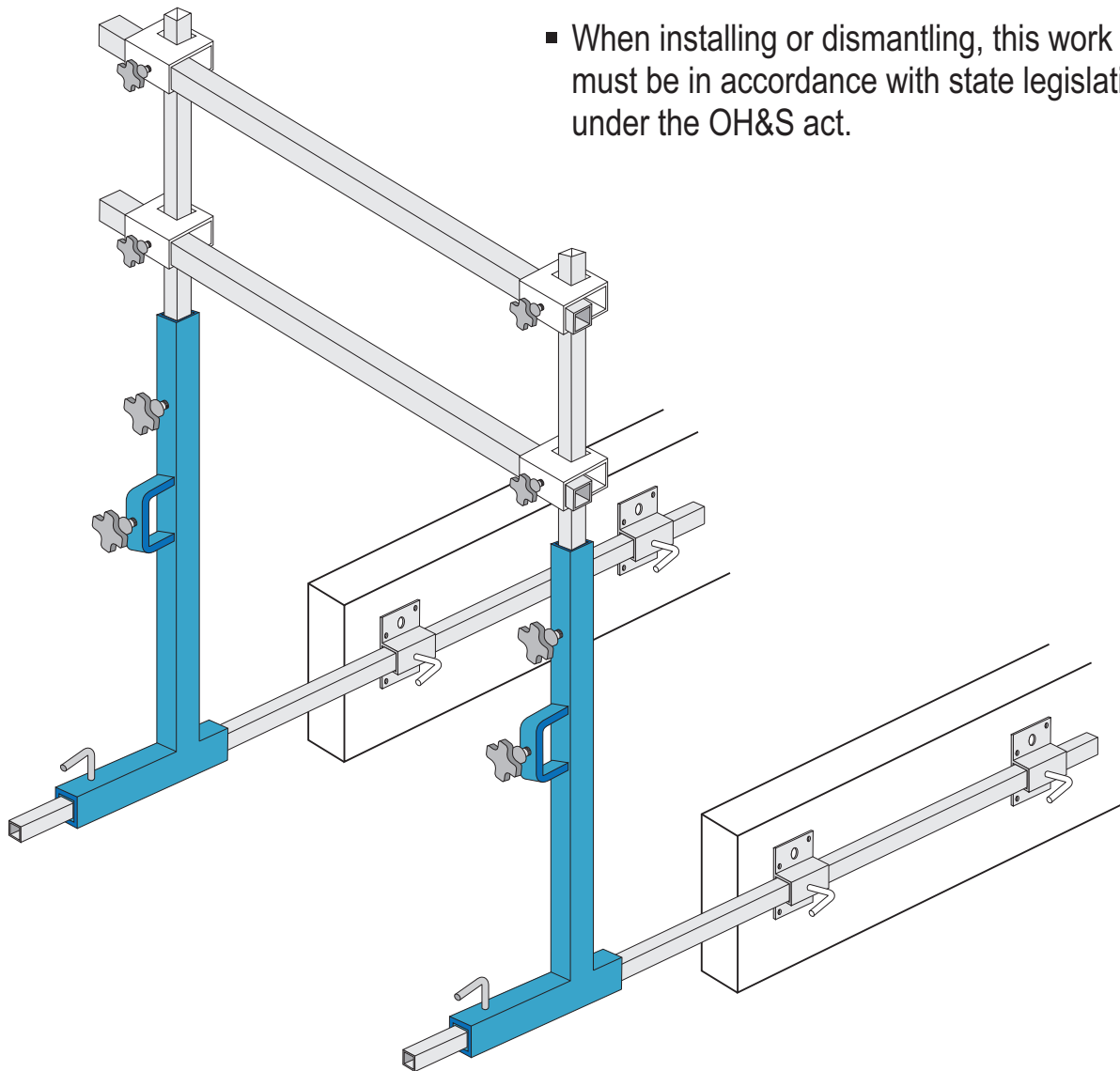
Lighter weight with less components than similar competitors products, improving site productivity.

Timber Beam Handrail (Alternate)

Aldeck

UNDER PURLIN

- Maximum post spacing is **3 metres**.
- All rails, joiners & corner brackets included.
- When installing or dismantling, this work must be in accordance with state legislation under the OH&S act.



The Aldeck Alternate Perimeter System with Timber Beam Connectors

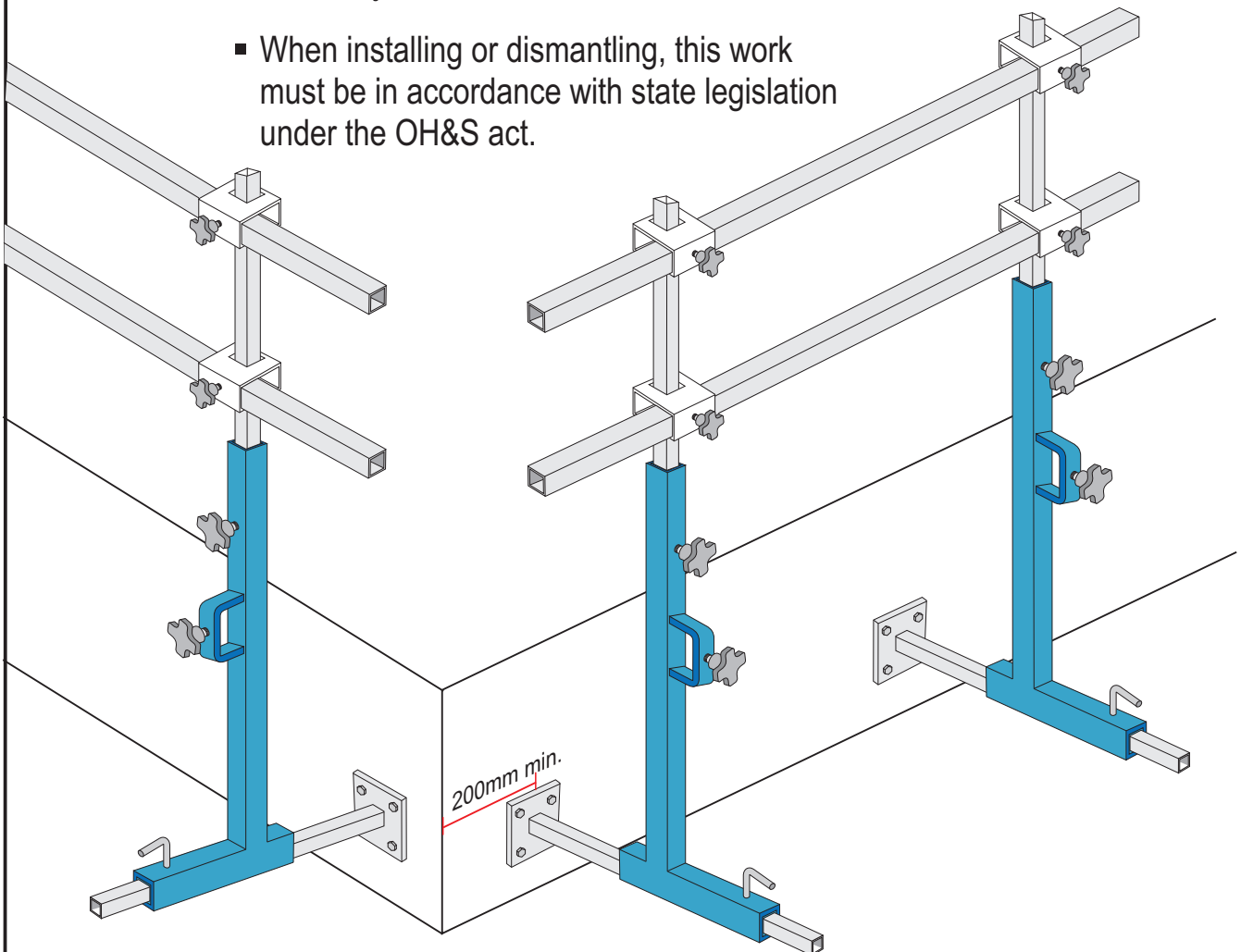
Lighter weight with less components than similar competitors products, improving site productivity.

Concrete Bolt On Handrail

Aldeck

UNDER PURLIN

- Maximum post spacing is **3 metres**.
- All rails, joiners & corner brackets included.
- When installing or dismantling, this work must be in accordance with state legislation under the OH&S act.



The Aldeck Bolt On System can be attached to many different structure types.

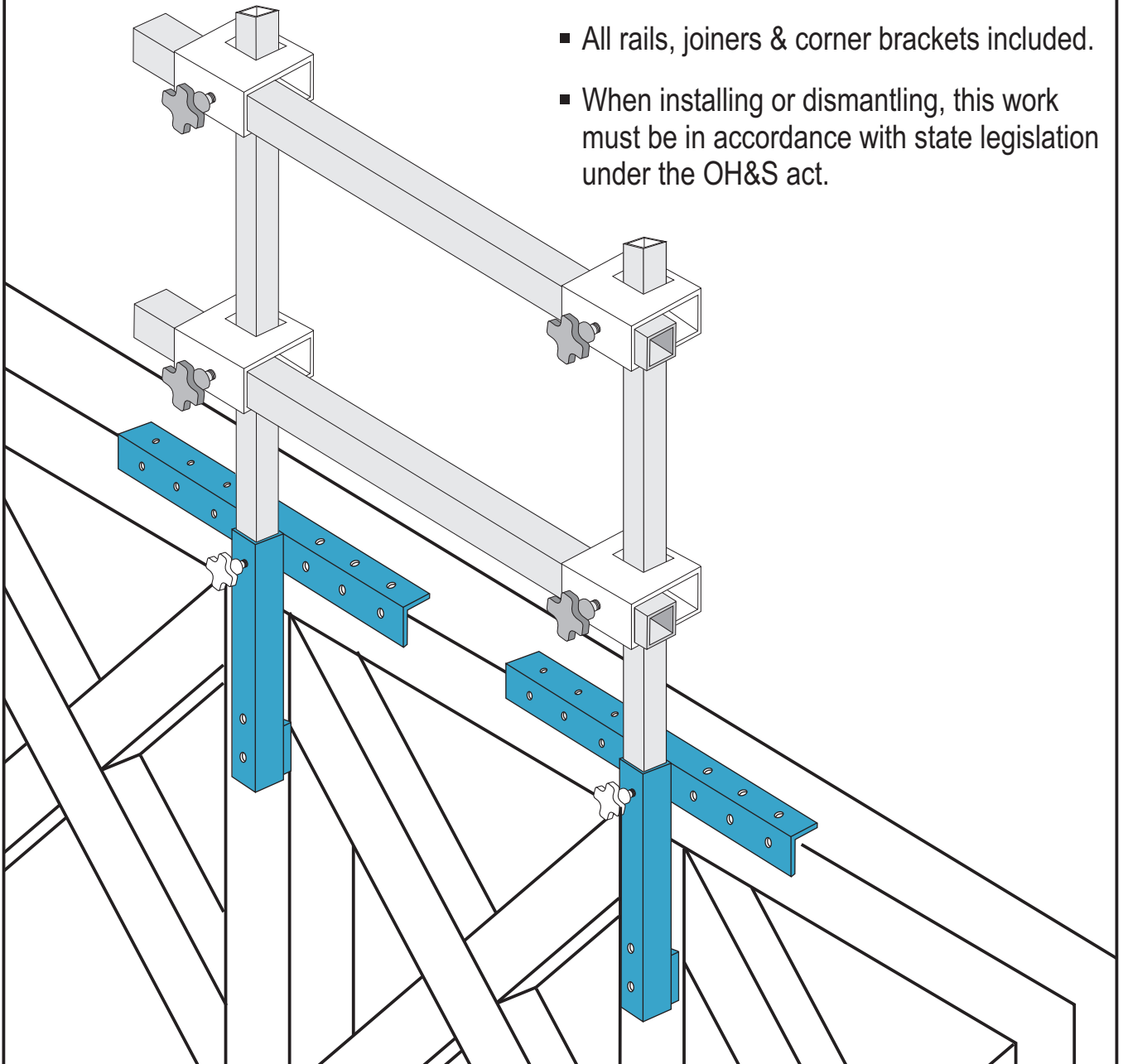
This system is lighter weight with less components than similar competitors products, improving site productivity.

Bolt On Handrail

Aldeck

BLUE STEEL BRACKET

- Maximum post spacing is **3 metres**.
- All rails, joiners & corner brackets included.
- When installing or dismantling, this work must be in accordance with state legislation under the OH&S act.



Our answer to light weight blue steel structures.

With many buildings being constructed with thinner and lighter steel, a new multi fixed bracket is required for handrail systems to continue to comply with Australian Standards.